

In-Sight Explorer - admin - [ \_is5100\_0137af\_\_ - BI\_Plunger.job ]

File Edit View Insert Format Image Sensor System Window Help

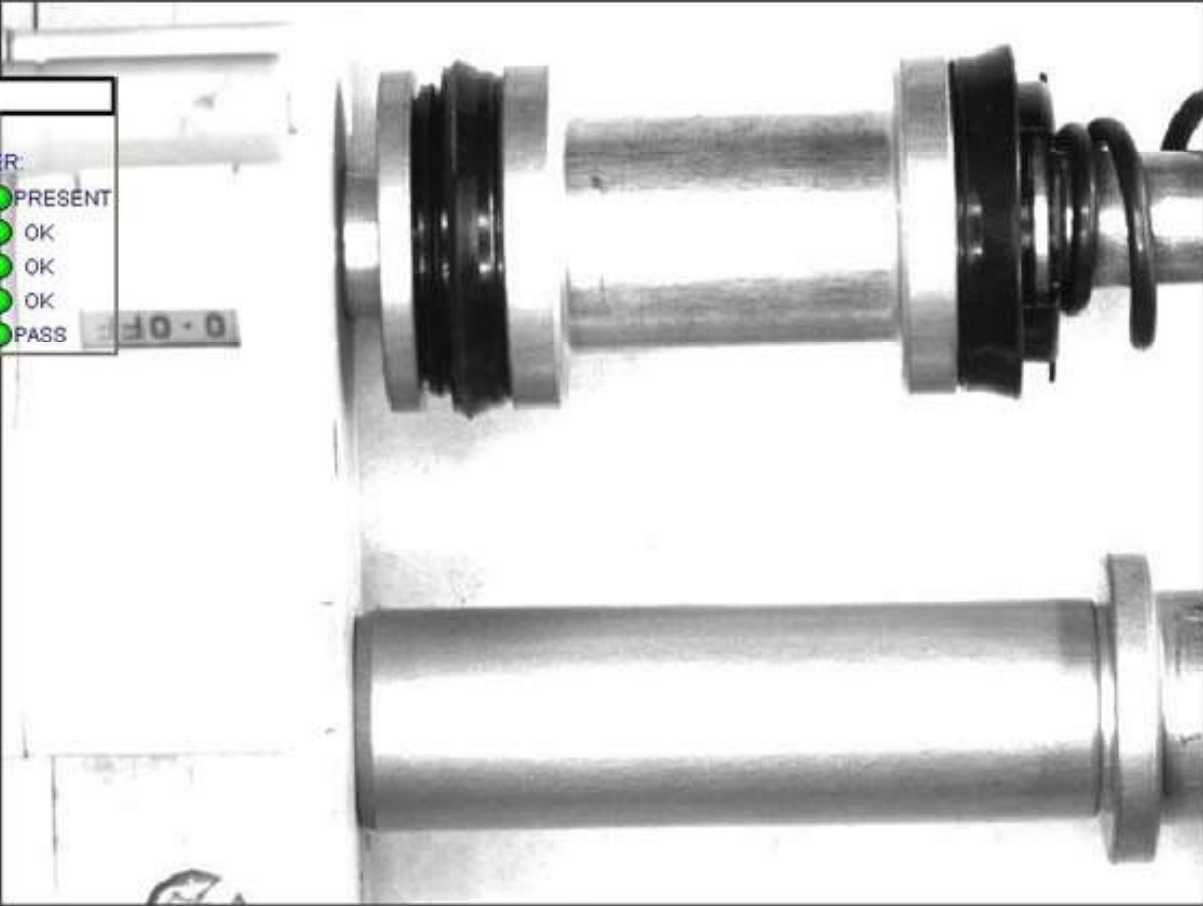
Arial 12 B / 100%

A66 = PLUNGER TEST

### PLUNGER TEST

DOUBLE SEAL PLUNGER:

- COMP STS: ● PRESENT
- BOTTAM SEAL STS: ● OK
- TOP SEAL STS: ● OK
- SP. Retainer: ● OK
- Overall Result: ● PASS



TITAN (Machine Building) 62.8 ms Offline

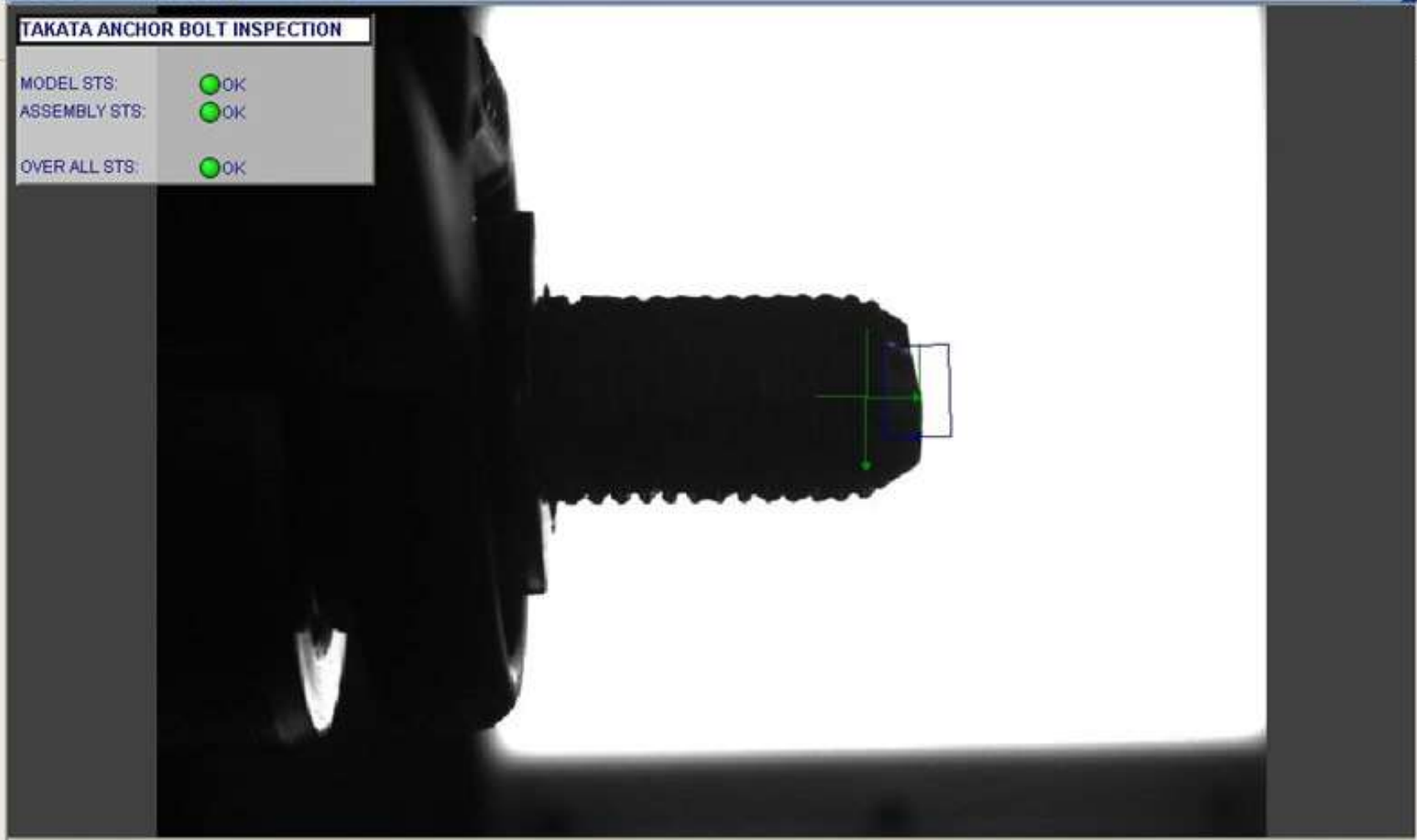
start In-Sight Explorer - ad... BI\_Plunger TITAN (Machine Build... 12:41 PM

In-Sight Explorer - admin - [ESP-T4-2 - ism1100 - F:\ROAD SHOW 2010\altered takata 3 models\takata prg 2.job]

File Edit View Insert Format Image Sensor System Window Help

10

A70 = TAKATA ANCHOR BOLT INSPECTION



TAKATA ANCHOR BOLT INSPECTION	
MODEL STS:	OK
ASSEMBLY STS:	OK
OVER ALL STS:	OK

Pixel Value @ (381,408) = 255

0.0 ms Offline

start

Altered takata 3 m... Backups

In-Sight Explorer - ... unfiled - Paint

2:10 PM

In-Sight Explorer - admin - [ESP-T4-2 - ism1100 - F:\ROAD SHOW 2010\altered takata 3 models\takata prg 2.job]


File Edit View Insert Format Image Sensor System Window Help

Anal 10 B /

A70 = TAKATA ANCHOR BOLT INSPECTION

### TAKATA ANCHOR BOLT INSPECTION

MODEL STS:	● FAIL
ASSEMBLY STS:	● FAIL
OVER ALL STS:	● FAIL



Pixel Value @ (358,232) = 255

0.9 ms Offline

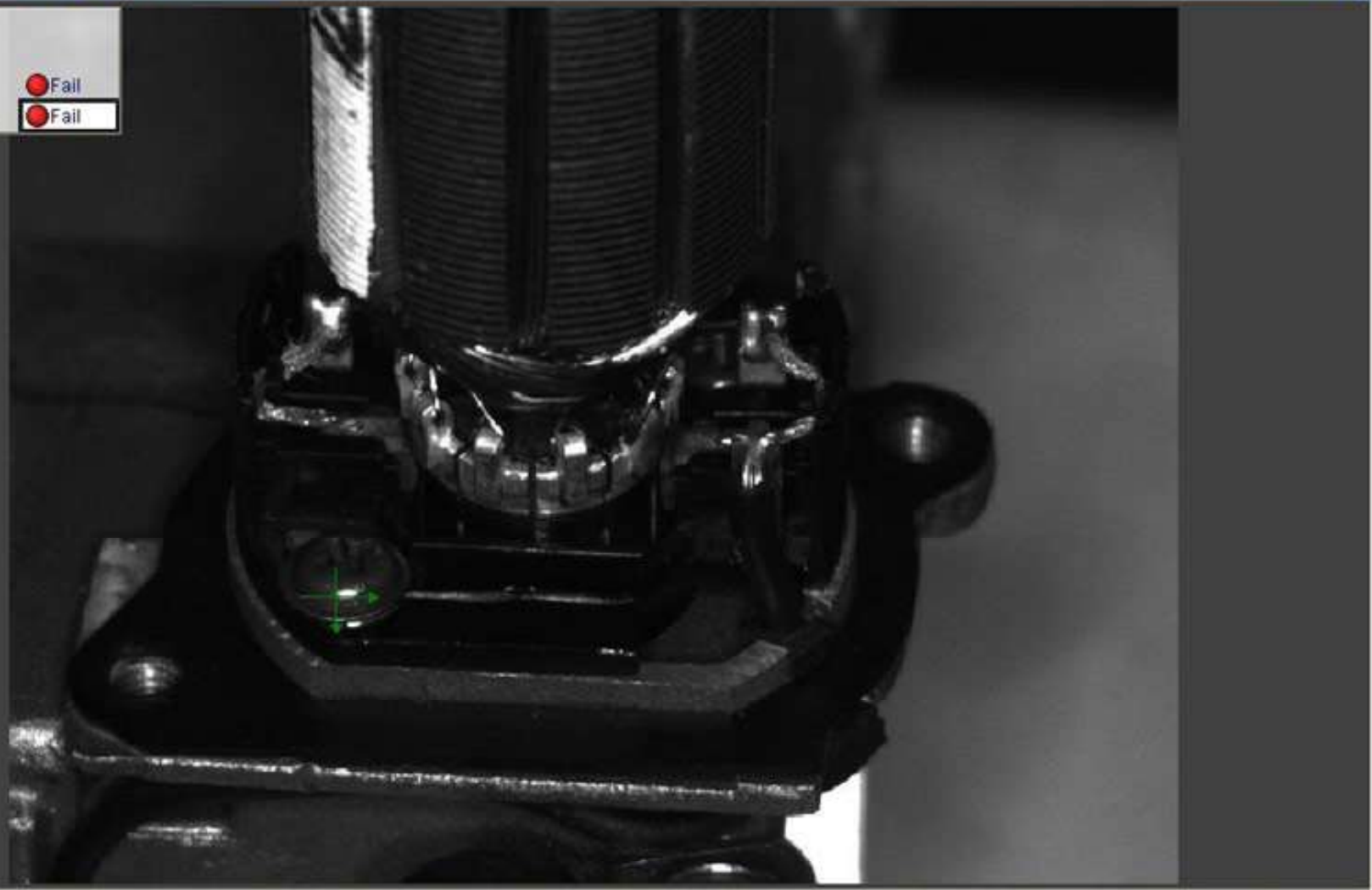
start

Altered takata 3 m... Backups In-Sight Explorer - ... PRINT 3.JPG - Paint 2:12 PM

**Job Result**

Left Side Status: ● Fail

Right Side Status: ● Fail



In-Sight Explorer - admin - [is5100\_0137af - Turbo\_Palyanoor\_1.job]

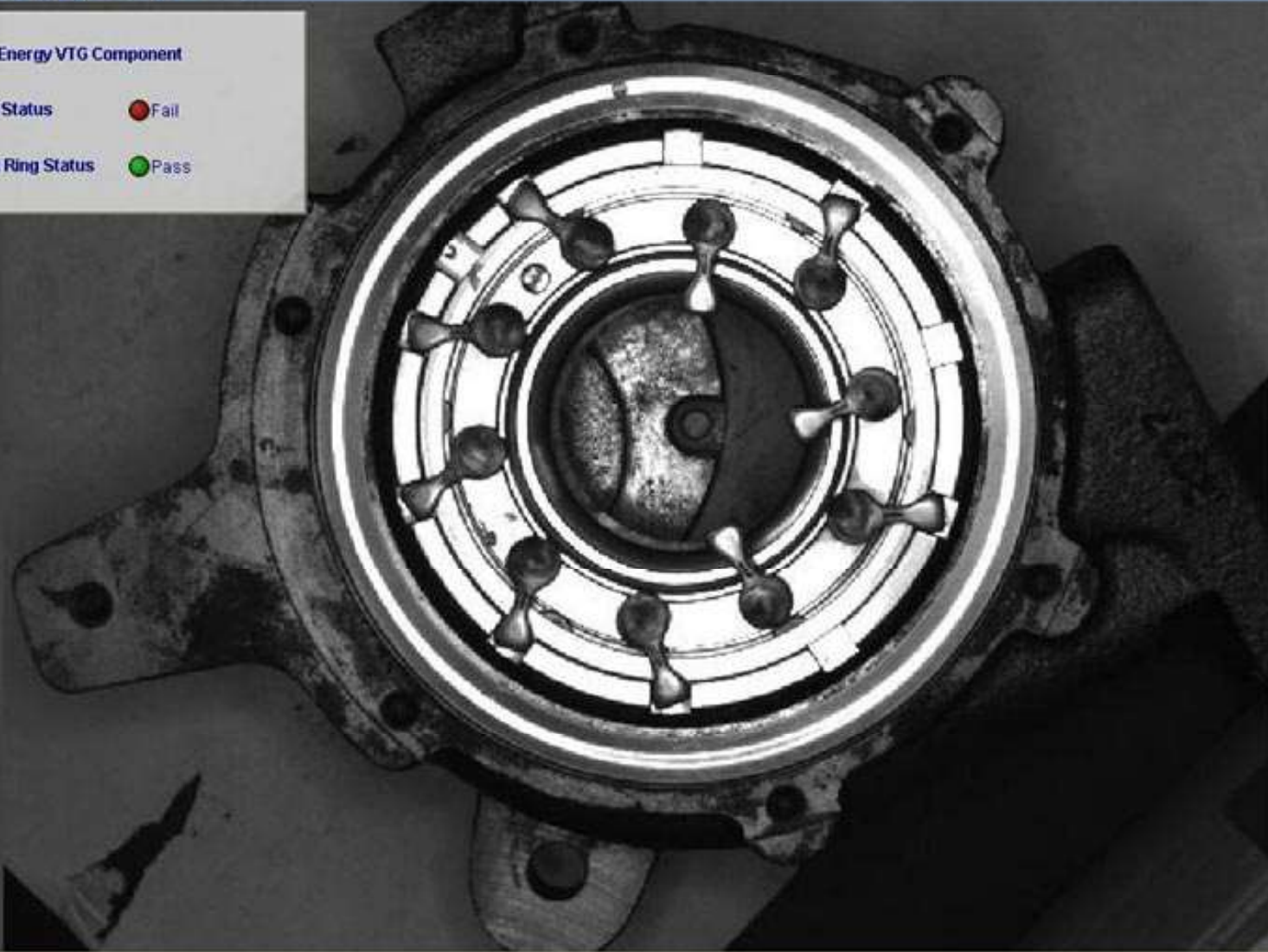
File Edit View Insert Format Image Sensor System Window Help



**Turbo Energy VTG Component**

Vanes Status ● Fail

Ceiling Ring Status ● Pass



start



Microsoft Excel - Des...

Results\_Fluorescent

In-Sight Explorer - ad...

Offline

6:23 PM

Vision inspection for presence & positions of correct revert pins, insulation pads of telecom tower equipment



In-Sight Explorer - admin - [ARCEE - Spreadsheet View]

File Edit View Insert Format Image Sensor System Window Help

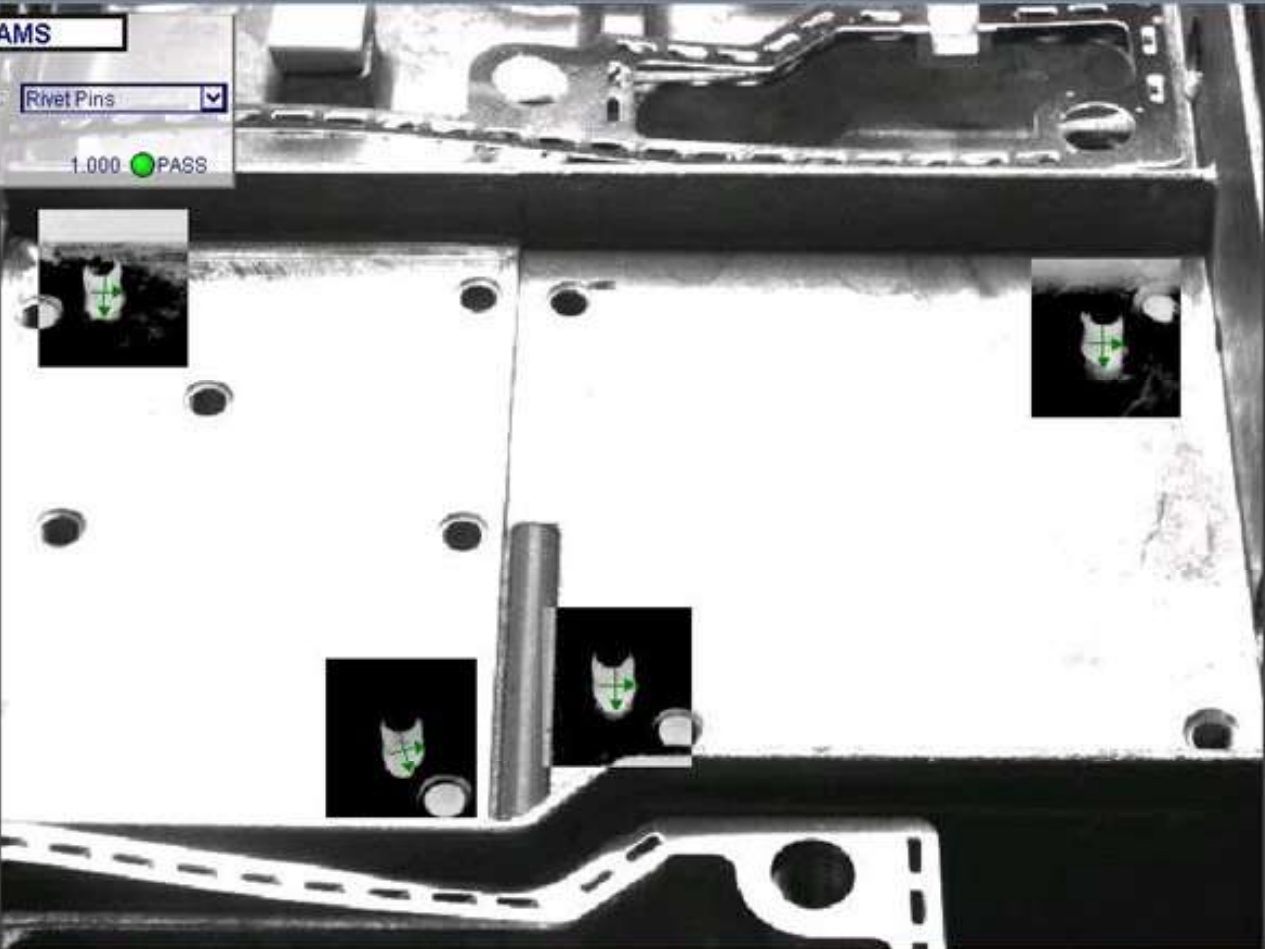
Arial 12 B / +0.00% - A

02 - ASHLEY ALTEAMS

**ASHLEY ALTEAMS**

Select the inspection: Rivet Pins

Result: 1,000 ● PASS



A20: Pixel Value @ (307,311) = 0

0.0 ms Offline

start | In-Sight Explorer - admin - [ARCEE - Spreadsheet View] | 1:44 PM

In-Sight Explorer - admin - [ARCEE - Spreadsheet View]

File Edit View Insert Format Image Sensor System Window Help

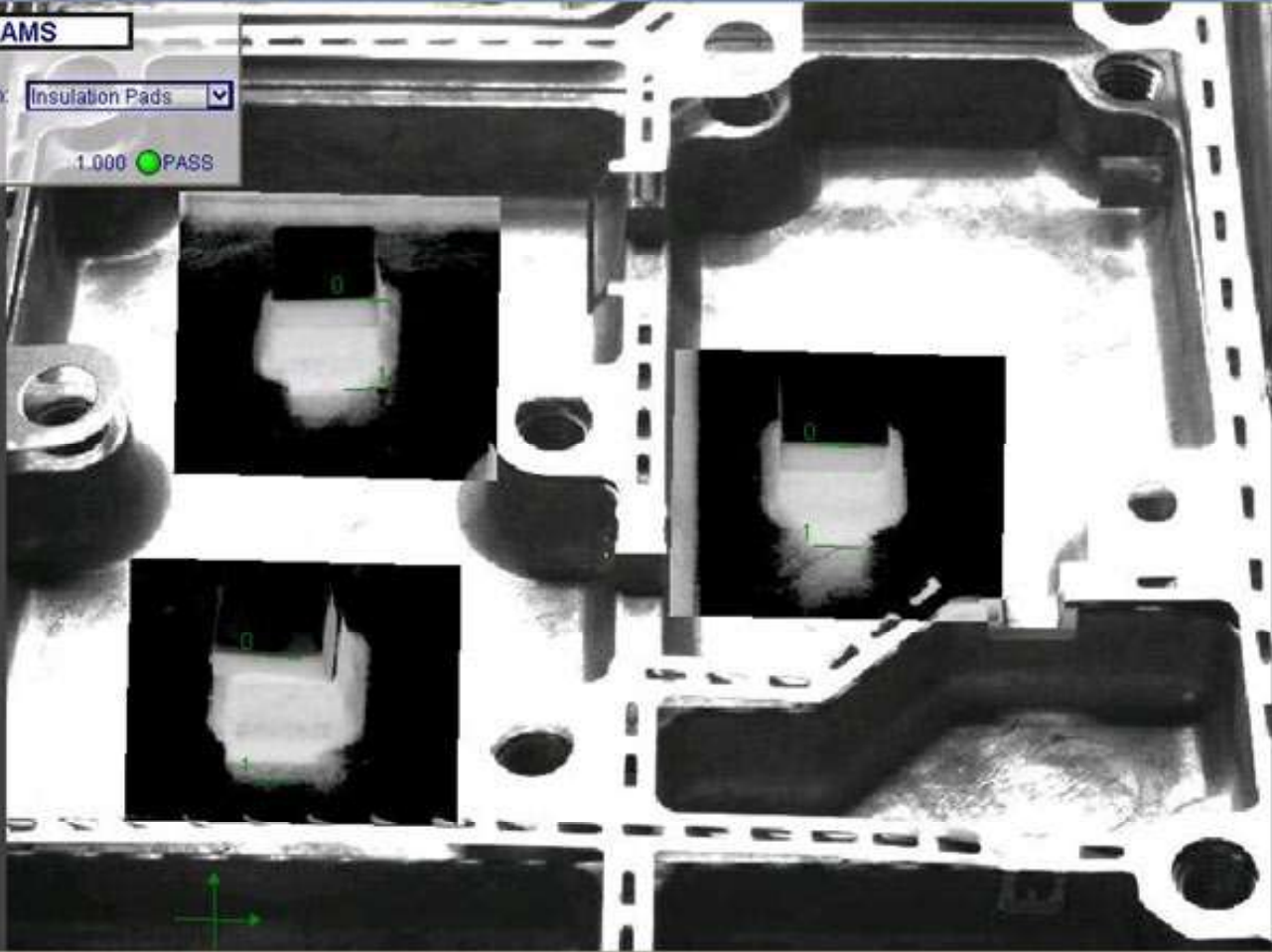
Anal 12 B / %0 %00

02 ASHLEY ALTEAMS

**ASHLEY ALTEAMS**

Select the inspection:

Result: 1.000 ● PASS



Pixel Value @ (265,150) = 255

0.6 ms Offline

start | In-Sight Explorer - ad... | Pad1\_Ok.JPG - Paint | 1:48 PM





